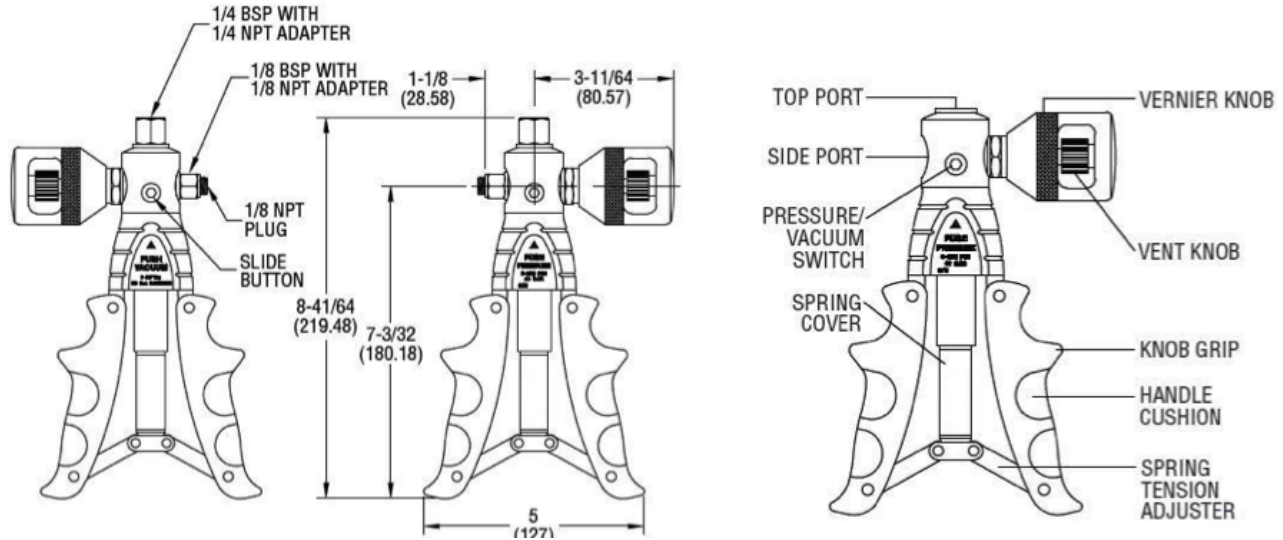




M-600KT

Combo Pneumatic Calibrator Pump

Operating Instructions



The **M-600KT Combo Pneumatic Calibration Hand Pump** comfortably sources pressure and vacuum to check calibration of gauges, switches, transmitters and recorders. The contoured cushion handles provide extra comfort while preventing the pump from sliding. The oversized check valve provides smooth operation throughout the output range. The dual o-rings on all pistons insure zero leakage.

SPECIFICATIONS

Of f k:	Air and compatible gases only
Tcpi g:	Vacuum to Pressure (28" Hg - 600 PSI / 40 BAR)
Connection:	3/16" RVDUR™ and 1/4" RVDUR™ and 1/8" RVDUR™
Materials:	Stainless steel fittings, anodized aluminum housing, plastic/rubber handles, nitrile o-rings
Weight:	4 lbs (2.; 3 kg)

POINTS TO REMEMBER

- Insure all gauges and instruments to be calibrated are disconnected from process pressures before connecting the pump. Do not exceed 600 psi (41 bar) as this is the M-600KT's maximum pressure.
- The M-600KT has 1/8" and 1/4" BSP ports. In order to use NPT fittings, the required NPT to BSP parallel thread-adapters need to be installed (Adapters are included)
- Do not use thread sealant paste or tape on the male end of the adapters (Female end of the adapters require the use of paste or Teflon tape).
- Bonded washers (included) are required to insure a proper seal. To seal the adapters, simply hand-tighten and snug up with a wrench. Do not over-tighten.
- The M-600KT utilizes a Schrader valve instead of a needled valve. Thus full open or closed is several turns from the end of the travel. Over-tightening does not increase the seal.

OPERATION

1. Push the pressure/vacuum valve to the desired function (ex: if pressure generation is desired, the pin should be PUSHED IN on the side of the pump housing bearing the label "PRESSURE").
2. Close the vent knob by rotating it away from the pump housing. Please note that there should be a space between the end of the vent knob and the base of the vernier knob.
3. For high pressure operation, back out the vernier knob until the ring on the vernier shaft is visible. Pump to pressurize. Turn the vernier knob towards the pump housing and the pressure should easily be able to reach 600 psi. Note that for a maximum pressure of 600 psi to be reached, the handles should be 3/4" apart at the closest point. The closer the handles are to each other, the lower the amount of pressure that will be able to be generated..
4. To release pressure slowly, turn the vent knob in towards the pump body. To increase or decrease pressure slightly for minor adjustments, use the vernier knob.

MAINTENANCE

No routine maintenance is required. A periodic check of system calibration is recommended, however. While the M-600KT is field serviceable it is recommended it be returned to Meriam Process Technologies if repair is needed. Be sure to include a brief description of the problem plus any relevant application notes. Contact customer service to receive a return materials authorization (RMA) number before shipping.

WARRANTY/DISCLAIMER

The M-600KT is warranted to be free of defects in materials and workmanship for a period of twenty-five months from date of purchase.

If the unit malfunctions, it must be returned to the factory for evaluation. The Meriam Customer Service Department will issue a return material authorization (RMA) number immediately upon phone or written request. If the product is found to be defective or upon examination by the Repair Department, the product will be repaired or replaced at no charge. This warranty also includes damage that may have occurred in the regular activities that the pump is designed for (Including accidental dropping of the product, as it is designed to withstand considerable damage). Unauthorized repair attempts or modification of the product may result in voiding of the warranty, and should be avoided.

RETURN REQUESTS / INQUIRIES

Direct all warranty and repair requests/inquiries to the Meriam Product Technologies Customer Service Department. BEFORE RETURNING ANY PRODUCT(S) TO Meriam Process Technologies, PURCHASER MUST OBTAIN A RETURN MATERIAL AUTHORIZATION (RMA) NUMBER FROM MERIAM PROCESS TECHNOLOGIES CUSTOMER SERVICE DEPARTMENT IN ORDER TO AVOID PROCESSING DELAYS. The assigned RMA number should then be marked on the outside of the return package and on any correspondence.

The purchaser is responsible for any shipping charges, freight, insurance and proper packaging to prevent breakage in transit.

FOR WARRANTY RETURNS, please have the following information available BEFORE contacting Meriam Process Technologies:

1. Purchase Order number under which the product was PURCHASED
2. Model and serial number of the product under warranty; and
3. Repair instructions and/or specific problems relative to the product.

FOR NON-WARRANTY REPAIRS, have the following information available BEFORE contacting Meriam Process Technologies for current repair charges:

1. Purchase Order number to cover the COST of the repair.
2. Model and serial number of the product; and
3. Repair instructions and/or specific problems relative to the product.



Address: Meriam Process Technologies
10920 Madison Ave.
Cleveland, OH 44102

CONTACT INFORMATION

Phone Number: 216-281-1100
Fax Number: 216-281-0228
Website: www.meriam.com
E-Mail: sales@meriam.com

